


PRODUCT SHEET

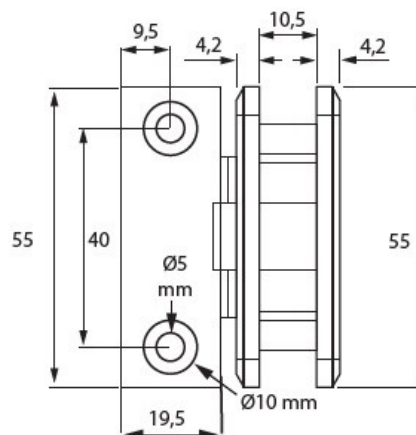
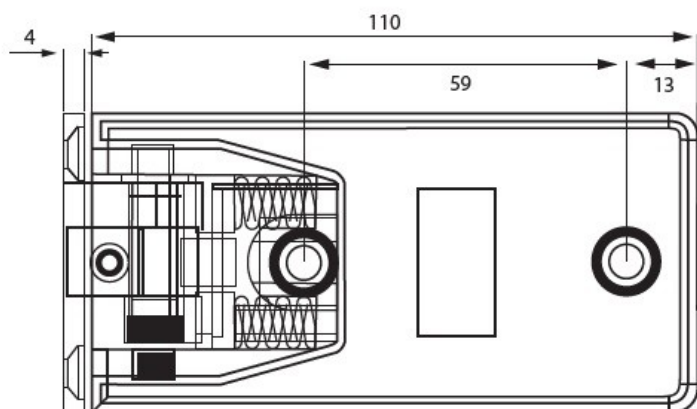
Description:

Shower Hinge "Linz", Wall/Glass,CPL, Offset Back Pl,2 Holes 6-10mm Glass Thickness, W/15 DG Angle Adjustment Function &, 15DG Return Function, Brass Material, Rectangular Shape, w/Chamferede Edges

Item number:

15.26.743-0

Units	Box	Carton	HS Code	Barcode
Pcs.	1	20	8302100090	 5704866505291



SISO A/S

Mileparken 11
DK-2740 Skovlunde
Denmark
VAT: 24786013

Phone +45 45 830 900

www.siso.dk
siso@siso.dk

Danske Bank
Nytorv Branch
Copenhagen
SWIFT: DABADKKK

Account no.
4180 3112 112936
IBAN Account
DK7230003112112936